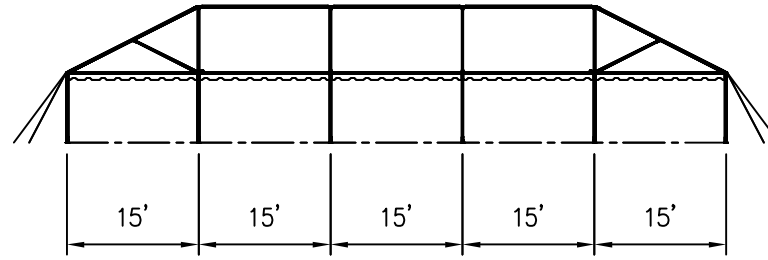


ISOMETRIC VIEW



SIDE VIEW

30x75 STANDARD FRAME TENT

PIPE: 2"

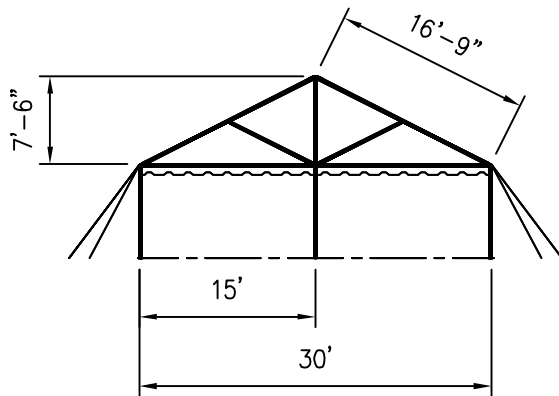
- (14) 6'-8" / 7'-8" / 9'-4" LEG
- (17) 14'-4" SPREADER
- (8) 10'-6" RAFTER
- (10) 16'-1" RAFTER
- (4) 21'-10" HIP RAFTER

FITTINGS:

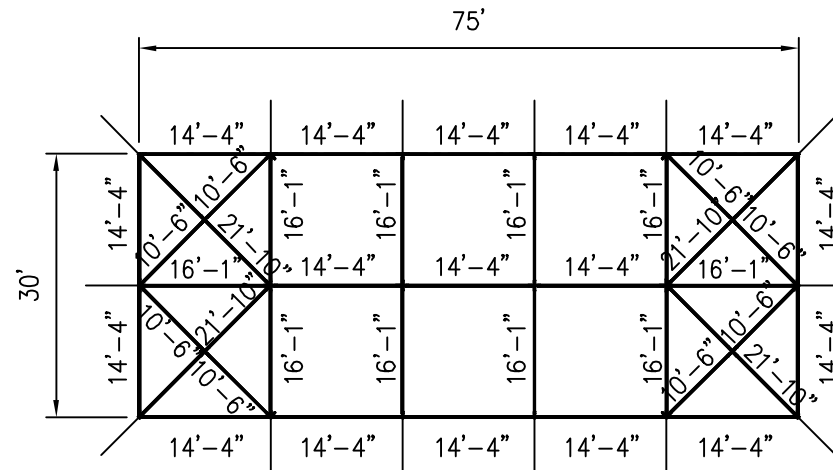
- (4) CORNERS
- (2) 6 WAY CROWN
- (4) TEE
- (2) TOP TEE
- (6) SPECIAL TEE
- (4) INTERMEDIATE HIP
- (4) 30' ASSY. CABLES
- (14) RATCHET TENSIONERS

OPTIONS:

- (14) BASEPLATES
- (14) STAKES
- (14) ROPES
- (106) ASSEMBLY PINS



FRONT VIEW



PLAN VIEW

STANDARD

FRAME TENT / STANDARD
30' W x 75' L x 15' MIDDLES

ORDER NUMBER	CODE	SIZE	DRAWING NUMBER
			0

	DATE	7/26/2013
	ENGINEER	N/A
2685 COLUMBIA ST. TORRANCE, CA 90503 (562) 228-5687 - FAX (310) 581-0722	DRAWN	ELVIS

ALL DATA AND INFORMATION CONTAINED IN OR DISCLOSED BY THIS DOCUMENT IS CONFIDENTIAL AND PROPRIETARY INFORMATION OF AZTEC TENTS AND ALL RIGHTS THEREIN ARE EXPRESSLY RESERVED. BY ACCEPTING THIS MATERIAL THE RECIPIENT AGREES THAT THIS MATERIAL AND INFORMATION CONTAINED THEREIN IS HELD IN CONFIDENCE AND IN TRUST AND WILL NOT BE COPIED, REPRODUCED WHOLE OR IN PART, NOR ITS CONTENTS REVEALED IN ANY MANNER TO OTHERS, EXCEPT TO MEET THE SPECIFIC PURPOSE FOR WHICH IT WAS DELIVERED.