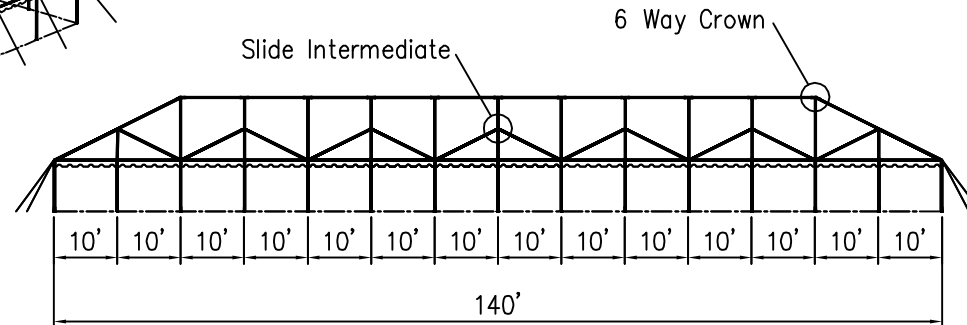


ISOMETRIC VIEW



SIDE VIEW

40' x 140' FRAME TENT

PIPE: 2"

- (36) 6'-8"/7'-8"/9'-4" (LEGS)
- (8) 10'-6" GREEN (INT. HIP)
- (24) 21'-10" RED (RAFTER)
- (36) 14'-4" WHITE (HIP RAFTER)
- (46) 9'-4" WHITE (SPREADER)

FITTINGS:

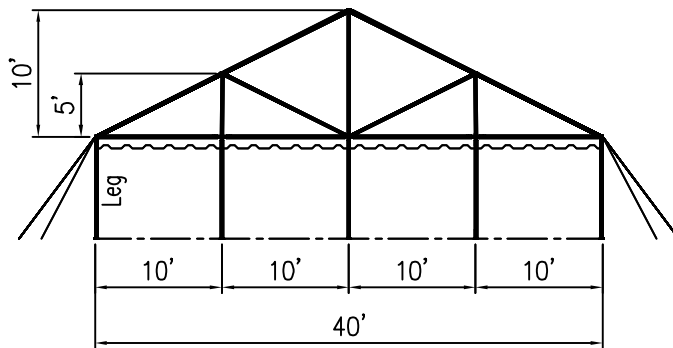
- (4) CORNER
- (4) INTERMEDIATE HIP
- (2) 6 WAY CROWN
- (18) TEE
- (14) SPECIAL TEE
- (9) TOP TEE
- (10) SLIDE INTERMEDIATE
- (11) 40' FRAME CABLES

OPTIONS:

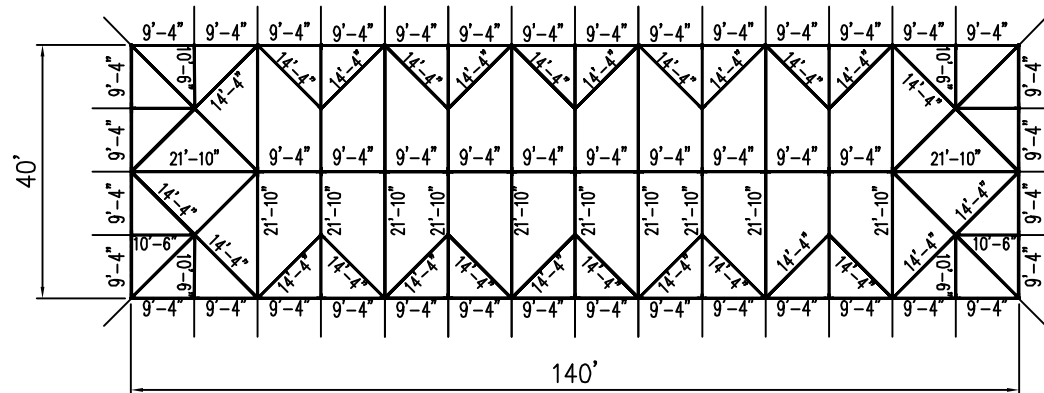
- (300) ASSEMBLY PINS
- (36) BASE PLATES
- (36) STAKES
- (36) ROPES
- (1) EXPANDABLE 8 WAY CROWN

QWIK TOP:

- (36) RATCHET TENSIONERS
- (36) QWIK BASEPLATES



END VIEW



PLAN VIEW



2685 COLUMBIA ST. TORRANCE, CA. 90503
(800) 228-3687 - FAX (310) 361-0722

ENGINEER CM
DRAWN KT
DATE 11/11/09

ALL DATA AND INFORMATION CONTAINED IN OR DISCLOSED BY THIS DOCUMENT IS CONFIDENTIAL AND PROPRIETARY INFORMATION OF AZTEC TENTS AND ALL RIGHTS THEREIN ARE RESERVED. THE RECIPED AGREE TO HOLD THIS INFORMATION IN CONFIDENCE AND TO NOT BE COPIED, REPRODUCED WHOLE OR IN PART, NOR ITS CONTENTS REVEALED IN ANY MANNER TO OTHERS, WITHOUT THE WRITTEN CONSENT OF AZTEC TENTS. THIS AGREEMENT IS MADE TO MEET THE SPECIFIC PURPOSE FOR WHICH IT WAS DELIVERED.

FRAME TENTS\DIAGRAMS\40x140x140

111109 1720

CHECKED -

STANDARD	FRAME TENT / STANDARD	CODE	SIZE	DRAWING NUMBER	REV
	40' x 140'			AZ-40140-FRAME	0